

Satellite A60

Model Name	Description	Part Number	UPC Code
A60-S1591ST	Intel Celeron D Processor 330 (2.66GHz, 256KB L2 cache, 533MHz FSB), 15" diagonal standard TFT active-matrix LCD display at 1024x768 native resolution, 256MB, 30GB (4200 RPM HDD, S-video out/Parallel port, integrated Atheros® 802.11b/g wireless-LAN supporting Atheros SuperG™ technology, DVD-CDRW, Microsoft Windows XP Home, 1-year warranty	PSA60U-09J01E	032017268968
A60-S1592ST	Intel Celeron D Processor 330 (2.66GHz, 256KB L2 cache, 533MHz FSB), 15" diagonal standard TFT active-matrix LCD display at 1024x768 native resolution, 256MB, 30GB (4200 RPM HDD, S-video out/Parallel port/IEEE-1394/FIR, integrated Atheros® 802.11b/g wireless-LAN supporting Atheros SuperG™ technology, DVD-CDRW, Microsoft Windows XP Professional, 1-year warranty	PSA60U-0CS01D	032017275096

System Characteristics¹

Custom Configuration options and optional items listed below are highlighted in yellow.

Operating System

- Microsoft® Windows® XP Professional, or
- Microsoft® Windows® XP Home

Choice of Processors²:

- Intel® Celeron® D processor 330 (2.66GHz, 256KB L2 cache, 533MHz FSB)
- Intel Celeron D processor 325 (2.53GHz, 256KB L2 cache, 533MHz FSB)
- Intel Celeron D processor 335 (2.80GHz, 256KB L2 cache, 533MHz,FSB)
- Mobil Intel Pentium® 4 processor supporting HT Technology (2.80GHz, 1MB L2 cache, 533MHz FSB)

Chipset

- ATI MOBILITY™ RADEON™ 7000 IGP

Memory

- 256MB (Min)/1280MB (Max), 256MB on-board memory with 1 available memory slot for 256MB, 512MB, or 1024MB PC2100/2700 DDR333 SDRAM 2.5V SODIMM memory modules
- Both slots may be occupied on some models

Mass Storage

Choice of Hard Drives³

- 30GB (4200 RPM), 40GB (4200 RPM), or 60GB (4200 RPM); Enhanced IDE (ATA-5) hard disk drive; 9.5mm height; user removable

Choice of Optical Disk Drives

- Fixed Bay CD-RW/DVD drive:
Maximum Speed:
CD-ROM (24x:read), CD-R (24x:read/24x:write), CD-RW (12x:read/24x:write), DVD-ROM (8x:read), DVD-R (4x:read), DVD-RW (4x:read), DVD-RAM (2x:read)
Compatibility:
CD-ROM (read), CD-R (read/write), CD-RW (read/re-write), DVD-ROM (read), DVD-R (read), DVD-RW (read), DVD+R (read), DVD-RAM (read)
- Fixed Bay DVD SuperMulti drive:
Maximum Speed:
CD-ROM (24x:read), CD-R (24x:read/16x:write), CD-RW (12x:read/8x:write), DVD-ROM (8x:read), DVD-R (4x:read/4x:write), DVD-RW (4x:read/2x:write), DVD+R (4x:read/2.4x:write), DVD+RW (4x:read/2.4x:write), DVD-RAM (2x:read/2x:write)
Compatibility:
CD-ROM (read), CD-R (read/write), CD-RW (read/write), DVD-ROM (read), DVD-R (read/write), DVD-RW (read/write), DVD+R (read/write), (DVD+RW (read/write), DVD-RAM (read/write)

Display⁴

- 15.0" diagonal standard TFT active-matrix LCD display at 1024x768 native resolution
- Maximum Brightness 143 Cd/m²
- Brightness Control

Graphics

- ATI MOBILITY™ RADEON™ 7000 IGP with 64MB of shared memory

Input Devices

- Keyboard
 - 85 key US keyboard, 2.7mm key stroke, 6mm keyboard height, 19.05mm key pitch
 - Hot Key Functions (FN); please see electronic User's Guide for more information
 - Windows Key Function
 - Application Key Function
- Pointing Device:
 - TouchPad™ pointing device
 - TouchPad Enable/Disable (FN+F9 or by help of software)
- Others:
 - Internet Browser Launch Function
 - CD Buttons (Skip to Previous Track, Play, Stop, Skip to Next Track)

Expandability

- 2 main memory slots. Both slots may be occupied.
- 1 PC Card slot support 1 Type II, PCMCIA R2.01, PC Card16, CardBus

Communications

- Integrated V.92 modem⁵
Realtek 10/100 Base-TX Ethernet
- Choice of Wireless-LAN:⁶
 - Atheros® 802.11b/g wireless-LAN supporting Atheros SuperG™ technology⁷.
 - Atheros® 802.11a/g wireless-LAN supporting Atheros SuperAG™ technology

Ports

- Parallel port (on select configurations)
- RGB (monitor) port
- Fast Infrared (4Mbps) port (on select configurations)
- 3 Universal Serial Bus (USB) ports (v2.0)
- TV-out (S-Video) (on select configurations)
- RJ-11 modem port
- RJ-45 LAN port
- Headphone jack
- i.LINK(tm) IEEE-1394 (on select configurations)

Physical Description

- Dimensions (WxDxH Front/H Rear): 13.50" (343.0mm) x 11.10" (282.0mm) x 1.48" (37.5mm)[F]/1.93" (49.0mm)[R] without feet
- Weight⁸: Starting at 7.7 lb. (3500 g) depending upon configuration
- Indicators: power, power save mode, HDD, ODD, DC-In, Caps Lock, Arrow, Numeric, Main Battery Charging Status, System Sleep/Suspend Status, Wireless Communication Switch
- Case material: PC+ABS Plastic

Sound

- Realtek ALC250 Software Sound
- 16-bit stereo supported audio
- Built-in stereo speakers
- 3D Sound Support, Direct 3D Sound; DirectSound, Direct Music, MIDI (playback) Support
- Sound Volume Control Dial

Power Supply

- 120W (15V x 8A) Auto sensing external AC Adapter, 100-240V / 50-60Hz frequency (Universal) input.

TOSHIBA

- Dimensions (WxDxH): 5.91" x 1.42" x 2.56"
- Weight: starting at 1.43 lbs

Choice of Battery⁹

- **8-cell** (4300mAh) rechargeable, removable Lithium Ion (Li-Ion) battery pack
 - Weight: starting at 1.10 lb. (500 g)
 - Dimensions (WxDxH): 10.78" (273.8mm) x 2.82" (71.6mm) x 0.85" (21.7mm)
 - Recharge Time: up to 4.0 hours (system off)/up to 8.0 hrs (system on);
- **12-cell** (6450mAh) rechargeable, removable Lithium Ion (Li-Ion) battery pack
 - Weight: starting at 1.46 lb. (660 g)
 - Dimensions (WxDxH): 10.78" (273.8mm) x 2.82" (71.6mm) x 0.85" (21.7mm)
 - Recharge Time: up to 4.0 hours (system off)/up to 14.0 hrs (system on);
- Battery Life: Up to 1.5 hours (8-cell battery)¹⁰

Security

- Slot for cable lock;
- Items protected by a screw: HDD (3 screws) and Memory (3 screws)
- Passwords: User Power-on password, Supervisor Password
- Hotkey locks: Keyboard and Screen Blank
- Software: Screen Saver (by software).

BIOS

- ACPI v1.0b, PNP, VESA, DPMS, DDC, SM BIOS, PCI BIOS

Software¹¹

Toshiba Software and Utilities

- Toshiba Notebook Maximizer
- Toshiba Speech System
- Toshiba ConfigFree™
- Toshiba Custom Utilities
- Electronic User's Guide

Third-party Software

- Microsoft Works®
- Microsoft OneNote™
- Microsoft Internet Explorer
- Software Decoder: InterVideo (Win-DVD™ 4) with SRS TruSurround XT® Technology (features: TruSurround, SRS Dialog Clarity Enhancement, and TruBass).
- AT&T® Worldnet® Service – 1 month free
- Intuit® Quicken® New User Edition 2004
- Norton® Antivirus™ 2004 with 3-month subscription
- AOL – 3-month offer¹²
- Adobe® Acrobat Reader
- QuickTime™ Player
- RealOne™ Player 8 Basic
- Napster™ online digital music service – 30-day trial

Environmental Specifications

	Operating	Non-Operating
Temperature	5° to 30°C (41° to 86°F)	-20° to 55°C (-4° to 131°F)

Limited Warranty

- 1-year standard, limited warranty

SelectServ® Limited Warranty Upgrades and Extensions

Toshiba offers many different warranty extensions and enhanced service plans such as SystemGuard®, At-Home Repair, and Service Express to provide additional support to your notebook PC. For a full description and complete list of programs, please visit www.accessories.toshiba.com

Models with 1 Year Standard, Limited Warranty

Part Number	Description
SWP-PEQQ3V	2 nd /3 rd -year limited warranty extension
SWP-PEGQ3V	2 nd /3 rd -year limited warranty extension plus 3 years SystemGuard
SWP-PEQP3V	2 nd /3 rd -year limited warranty extension plus 3 years ServiceExpress
SWP-PEQH3V	2 nd /3 rd -year limited warranty extension plus 3 years At-Home Repair
SWP-PEGP3V	3 years SystemGuard and Service Express
SWP-PEGH3V	3 years SystemGuard and At-Home Repair

Accessories

Go to www.accessories.toshiba.com for additional, available accessories

Memory

Part Number	Description
KTT3311/256	Kingston 256MB Memory
KTT3311/512	Kingston 512MB Memory
KTT3311/1G	Kingston 1GB Memory

Power

Part Number	Description
PA3290U-2ACA	Toshiba 120W Global AC Adapter
PA3382U-1BRS	Toshiba Li ION Battery (12 cell)

Cases-Security

Part Number	Description
NWCER2	Excursion Roller 16"
PA1362U-1NCS	Toshiba Back Pack
PA1360U-1NCS	Toshiba Nylon Case
PA1361U-1NCS	Toshiba Executive Leather Case
NWDEFCL	Targus-Noteworthy DEFCON CL Cable Lock

Storage and Backup

Part Number	Description
HDD1232CZP41002	Toshiba 5GB Type II PC Card HDD w/Back-up software
ABSPLUS-40.0	CMS ABSplus 40GB PCMCIA Automatic Backup System
ABSPLUS-60.0	CMS ABSplus 60GB PCMCIA Automatic Backup System
UABS2-40.0	CMS ABSplus 40GB USB 2.0 Automatic Backup System
UABS2-60.0	CMS ABSplus 60GB USB 2.0 Automatic Backup System

Miscellaneous

Part Number	Description
PA3109U-1FDD	Toshiba USB FDD Kit
PA1336U-1NKB	Toshiba USB Keyboard
PA1337U-1NMS	Toshiba USB Optical Mouse

Subject to Change

While Toshiba has made every effort at the time of publication to ensure the accuracy of the information provided herein, product specifications, configurations, prices, system/component/options availability are all subject to change without notice. For the most up-to-date product information about your computer, or to stay current with the various computer software or hardware options, visit Toshiba's Web site at <http://pcsupport.toshiba.com>. The product specifications and configuration information are designed for a product Series. Your particular model may not have all the features and specifications listed or illustrated. For more detailed information about the features and specifications on your particular model, please visit Toshiba's Web site at <http://pcsupport.toshiba.com>.

Return Policy

Notwithstanding anything to the contrary in any third party License Agreement or product documentation supplied with your PC, Toshiba America Information Systems, Inc. ("TAIS") does not accept the return of component parts, or bundled software, that have been removed from the PC system. Pro-rata refunds on

TOSHIBA

individual PC components or bundled software, including the operating system, will not be granted. If you wish to return a complete PC system, contact the TAIS dealer where you purchased the product, and comply with the dealer's standard return policies and procedures.

Toshiba America Information Systems, Incorporated ("TAIS")
9740 Irvine Boulevard
Irvine CA 92618
ToshibaDirect website: <http://www.toshibadirect.com>
TAIS website for resellers: <http://sell.toshiba.com>
TAIS PC Support website: <http://pcsupport.toshiba.com>

Portégé, Satellite, Tecra, Slim SelectBay and SystemGuard are registered trademarks and ConfigFree is a trademark of Toshiba America Information Systems, Inc. and/or Toshiba Corporation. Intel, Celeron, Centrino, Intel Inside, Pentium, the Intel Centrino logo, and the Intel Inside logo are trademarks or registered trademarks of Intel Corporation or its subsidiaries in the United States and other countries. Microsoft and Windows are registered trademarks and OneNote is a trademark of Microsoft Corporation in the United States and/or other countries. Winstone® is a registered trademark and BatteryMark™ is a trademark of Ziff Davis Publishing Holdings Inc. in the U.S. and other countries. Wi-Fi is a registered certification mark of the Wi-Fi Alliance. The Bluetooth word mark and logos are owned by the Bluetooth SIG, Inc. and any use of such marks by Toshiba is under license. All other trademarks are the property of their respective owners.

¹ Certain notebook chassis are designed to accommodate all possible configurations for an entire product series. Your select model may not have all the features and specifications corresponding to all of the icons or switches shown on the notebook chassis, unless you have selected all those features.

² CPU performance in your computer product may vary from specifications under the following conditions:

1. use of certain external peripheral products
2. use of battery power instead of AC power
3. use of certain multimedia, computer generated graphics or video applications
4. use of standard telephone lines or low speed network connections
5. use of complex modeling software, such as high end computer aided design applications
6. use of several applications or functionalities simultaneously
7. use of computer in areas with low air pressure (high altitude >1,000 meters or >3,280 feet above sea level)
8. use of computer at temperatures outside the range of 5°C to 30°C (41°F to 86°F) or >25°C (77°F) at high altitude (all temperature references are approximate and may vary depending on the specific computer model – please refer to your Resource Guide or visit the Toshiba website at www.pcsupport.toshiba.com for details).

CPU performance may also vary from specifications due to design configuration.

Under some conditions, your computer product may automatically shut-down. This is a normal protective feature designed to reduce the risk of lost data or damage to the product when used outside recommended conditions. To avoid risk of lost data, always make back-up copies of data by periodically storing it on an external storage medium. For optimum performance, use your computer product only under recommended conditions. Read additional restrictions under "Environmental Conditions" in your product Resource Guide. Contact Toshiba Technical Service and Support for more information.

³ One (1) Gigabyte (GB) means $1000 \times 1000 \times 1000 = 1,000,000,000$ bytes using powers of 10. The computer operating system, however, reports storage capacity using powers of 2 for the definition of $1 \text{ GB} = 1024 \times 1024 \times 1024 = 1,073,741,824$ bytes, and therefore may show less storage capacity. Available storage capacity will also be less if the product includes one or more pre-installed operating systems, such as Microsoft Operating System and/or pre-installed software applications, or media content. Actual formatted capacity may vary.

⁴ Small bright dots may appear on your TFT display when you turn on your PC. Your display contains an extremely large number of thin-film transistors (TFT) and is manufactured using high-precision technology. Any small bright dots that may appear on your display are an intrinsic characteristic of the TFT manufacturing technology. Over a period of time, and depending on the usage of the computer, the brightness of the LCD Screen will deteriorate. This is an intrinsic characteristic of LCD technology.

⁵ Due to FCC limitations, speeds of 53 kbps are the maximum permissible transmission rates during download. Actual data transmission speeds will vary depending on line conditions.

⁶ Wireless connectivity is subject to availability of access points. You might have to purchase additional software, hardware and/or services or pay for phone charges or air time to achieve the functionality as advertised. The transmission speed over the wireless LAN and the distance over which wireless LAN can reach may vary depending on surrounding electromagnetic environment, obstacles, access point design and configuration, and client design and software/hardware configurations. The actual transmission speed will be lower than the theoretical maximum speed.

⁷ To use the Atheros SuperAG™ or SuperG™ function, your client and access point must support the corresponding feature. Performance of these functions may vary depending on the format of data transmitted.

⁸ Weight may vary depending on product configuration, vendor components, manufacturing variability and options selected.

⁹ Battery life may vary depending on product model, configuration, applications, power management settings and features utilized. Recharge time varies depending on usage. Battery may not charge while computer is consuming full power. After a period of time, the battery will lose its ability to perform at maximum capacity and will need to be replaced. This is normal for all batteries. To purchase a new battery pack, see the accessories information that shipped with your computer or visit the Toshiba web site at <http://www.accessories.toshiba.com>.

¹⁰ Business Winstone® 2002 BatteryMark™ Version 1.0

These models achieved the battery life times shown using Ziff Davis Media Inc.'s Business Winstone® 2002 BatteryMark™ Version 1.0. These tests were performed without independent verification by the VeriTest testing division of Lionbridge Technologies, Inc. ("VeriTest"). Neither Ziff Davis Media Inc. nor VeriTest makes any representations or warranties as to the results of the tests. Winstone® is a registered trademark and BatteryMark™ is a trademark of Ziff Davis Publishing Holdings Inc. in the U.S. and other countries. Copyright 2002 Ziff Davis Media Inc. All Rights Reserved. All products used in the tests were shipping versions available to the general public. The battery life results were achieved running the Business Winstone® 2002 BatteryMark™ Version 1.0 on the following system parameters. System parameters were set according to Ziff Davis Media Inc.'s recommendations.

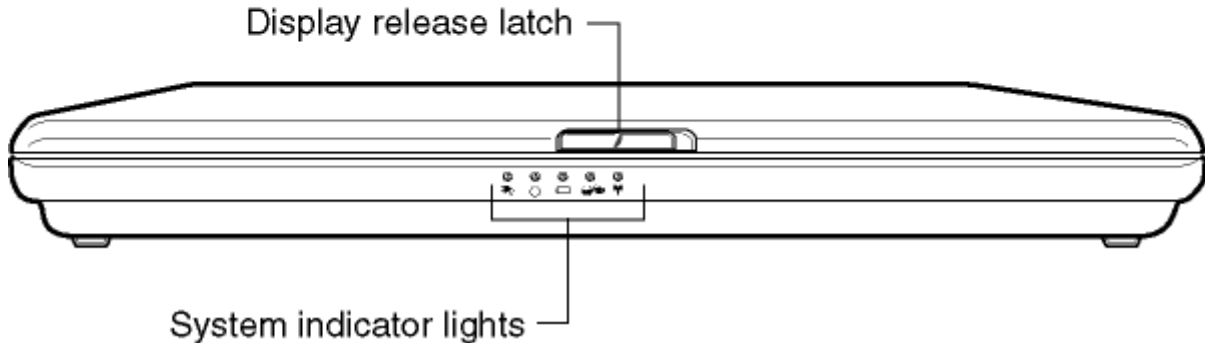
Model#1	Portability NW P4 3.2G w/ HT /15"XGA/512MB/60GB(4200rpm)/ WLAN802.11g/12cell/SuperMulti
Model#2	Portability NW P4 2.8G w/o HT /15"XGA(CSV)/256MB/40GB(4200rpm)/ WLAN802.11g/8cell/Combo
Model#3	Portability Prescott Celeron 2.8G /15"XGA(CSV)/256MB/40GB(4200rpm)/ WLAN802.11g/12cell/Combo

Battery Life	Catalog Spec (1st)	3H	2H	1.5H	1.6H
	Number of Conditioning Phase	1	3H (Option 12 cell Battery)	1	2.5H (Option 12 cell Battery)
	Life Test Run	3	3	3	3
A	CPU Name	Mobile Intel® Pentium® 4 processor 3.20GHz with HT Technology	Mobile Intel® Pentium® 4 processor 2.80GHz	Intel® Celeron® D processor 335	Intel® Celeron® processor 2.8G
	Processor info	speed	3.2GHz	2.8GHz	2.8GHz
	number of processors	1	1	1	1
	amount of RAM	512MB	256MB	256MB	256MB
	Amount of secondary RAM cache	512KB	512KB	256KB	128KB
B	Battery	type(1st)	Li-Ion	Li-Ion	Li-Ion
	model number(1st)	PA3382U-1BRS/BAS	PA3384U-1BRS/BAS	PA3382U-1BRS/BAS	PA3384U-1BRS/BAS
	type(2nd)	-	-	-	-
	model number(2nd)	-	-	-	-
	number of batteries	1	1	1	1
C	Graphics	ATI RS250M (internal GFX)	ATI RS250M (internal GFX)	ATI RS250M (internal GFX)	ATI RS250M (internal GFX)
	amount and type of RAM	UMA	UMA	UMA	UMA
	graphics driver name and version	6.14.10.6449	6.14.10.6449	6.14.10.6449	6.14.10.6449
	graphics resolution and color depth, refresh rate	1024x768, 32bit, 60Hz	1024x768, 32bit, 60Hz	1024x768, 32bit, 60Hz	1024x768, 32bit, 60Hz
D	hard disk capacity	60G	40G	40G	40G
	hard disk file system & transfer mode	Enhanced IDE(ATA-5)	Enhanced IDE(ATA-5)	Enhanced IDE(ATA-5)	Enhanced IDE(ATA-5)
	hard disk controller model	ATI IXP150	ATI IXP150	ATI IXP150	ATI IXP150
	size of hardware cache if any	-	-	-	-
E	operating system version, service pack	Windows XP Professional Savice Pack 1	Windows XP Professional Savice Pack 1	Windows XP Professional Savice Pack 1	Windows XP Professional Savice Pack 1
	other special conditions	N/A	N/A	N/A	N/A
F	BIOS version	0.01.43	0.01.43	0.01.43	0.01.43
	Power management setting	see another sheet	see another sheet	see another sheet	see another sheet

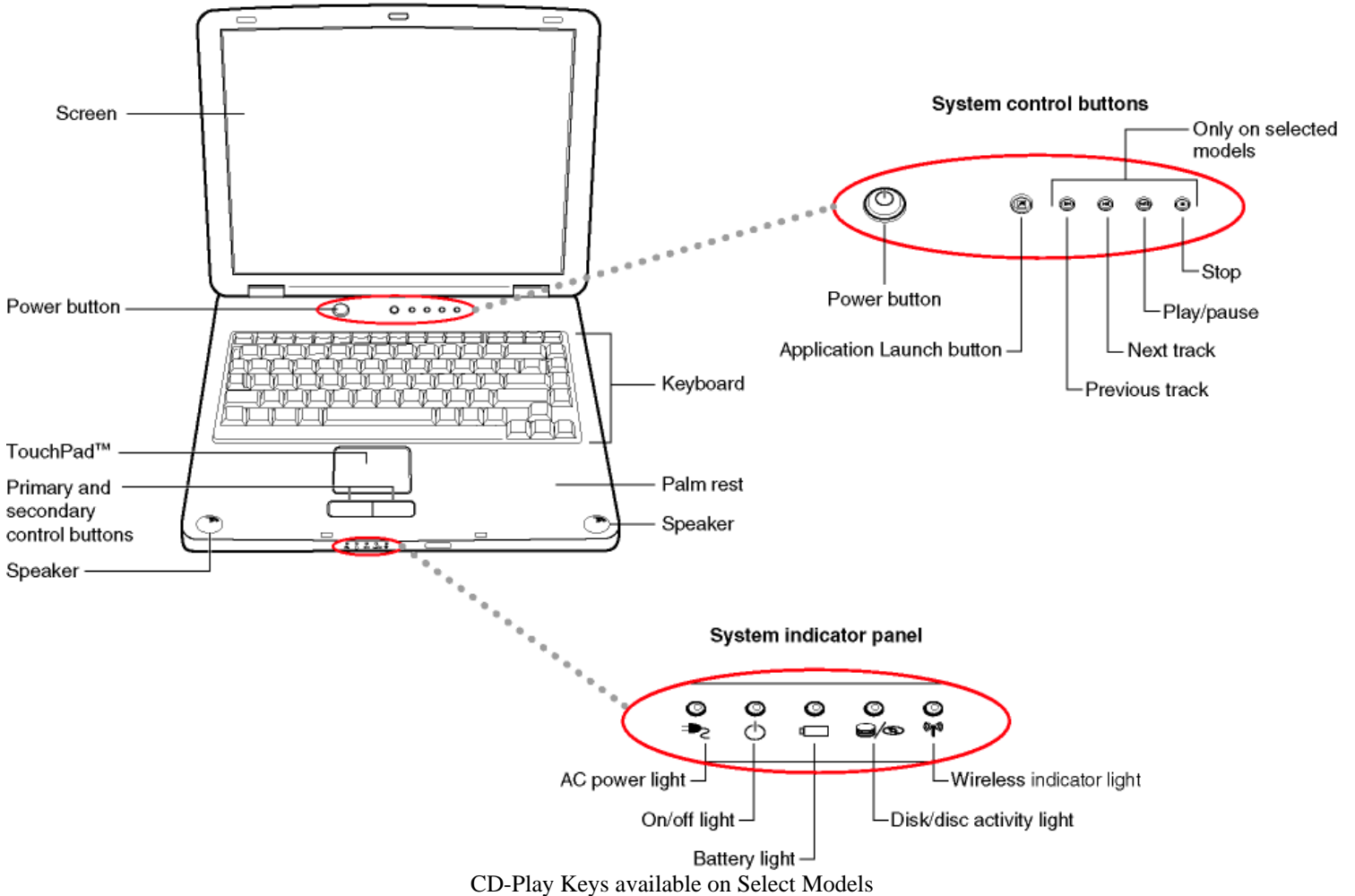
¹¹ Some software may differ from its retail version (if available), and may not include user manuals or all program functionality.

¹² AOL OFFER DETAILS: Availability may be limited, especially during peak times. TO AVOID BEING CHARGED A MONTHLY MEMBERSHIP FEE, SIMPLY CANCEL BEFORE THE THREE-MONTH PROMOTIONAL PERIOD ENDS. Premium services carry surcharges and communication surcharges may apply, including AK, even during promotional period. Members may incur telephone charges on their phone bill, depending on their location and calling plan, even during promotional period. Available to new AOL members in the United States, age 18 or older; a major credit card or checking account is required.

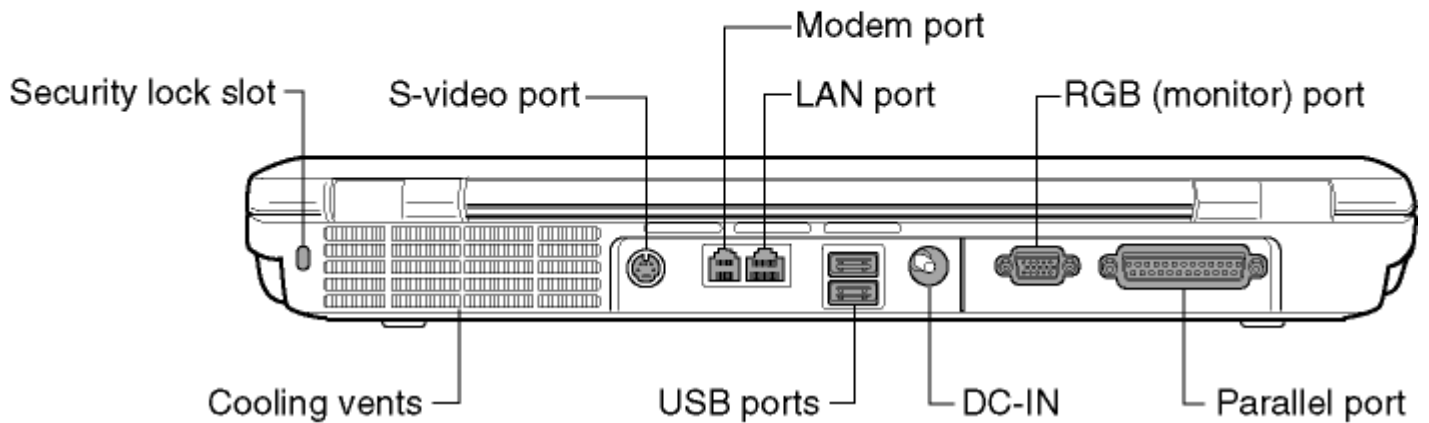
Front with display closed



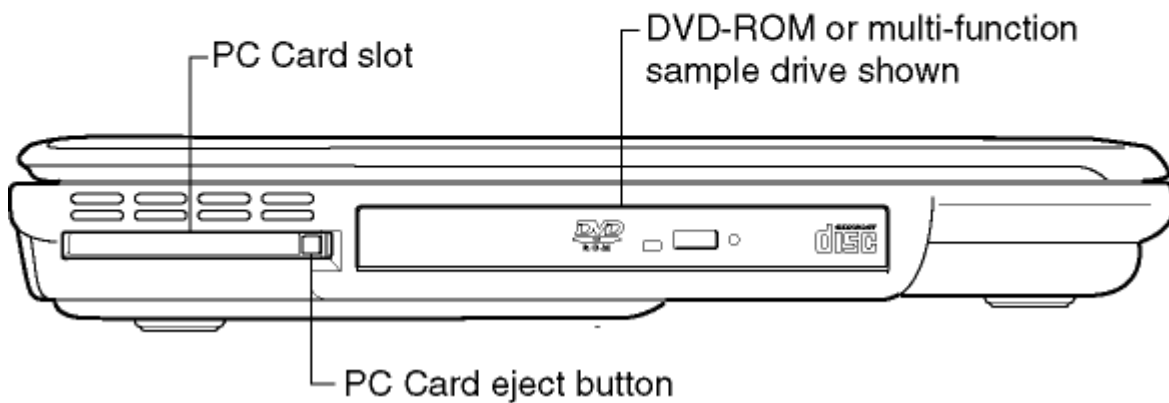
Front with display open



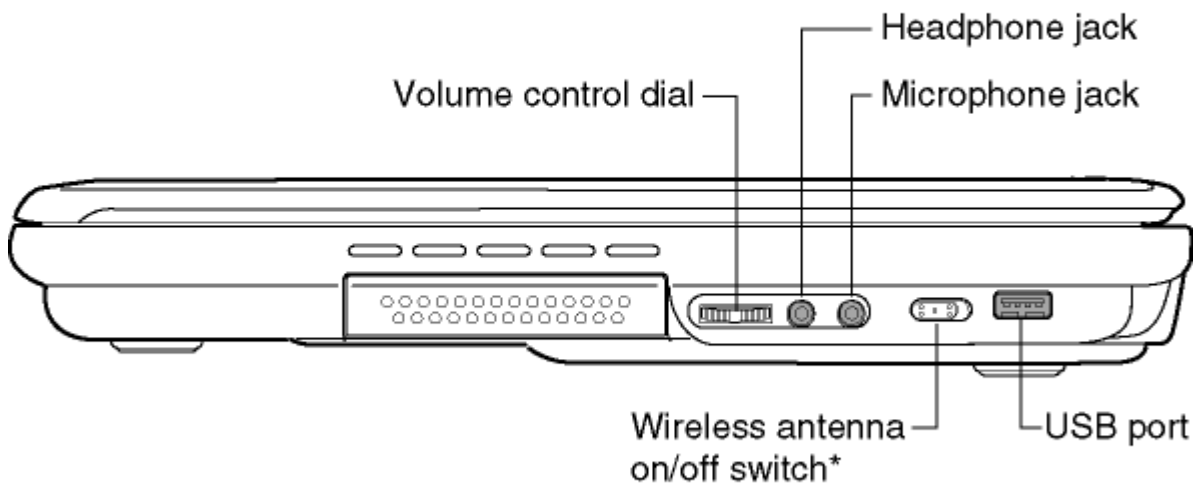
Back



Left side



Right side



*Functional only on systems with wireless module installed.

Underside

